

Review of Cooperative Groups' Capabilities to Receive Digital Diagnostic Imaging Data

- **COG**

- REN (Wilms)
- HOD
- CNS
- RET

- **PBTC**

- **CALGB**

- **SWOG**

- **ECOG**

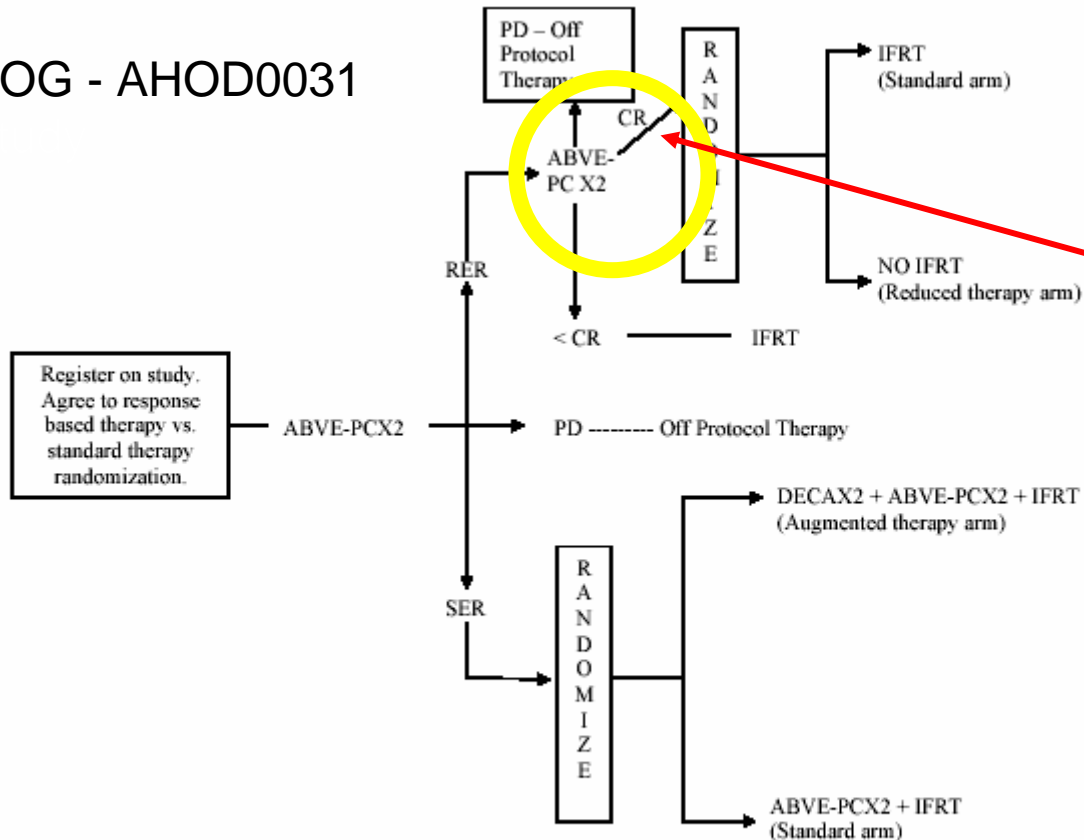
- **ACOSOG**

Imaging Requirements for COG Studies – Open and in Development

Disease Strategy Committee	Active	In Development	Image Based RT Volume Review	Central Diagnostic Imaging Review
ALL/AML/SCT	8	4	0	0
CNS	18	5	15	17
EWS	3	1	4	0
HOD	5	2	5	7
NBL	4	0	2	4
NHL	2	0	0	2
OST	0	1	1	0
RAR	0	2	1	2
REN	0	3	2	3
RET	0	2	0	2
RMS/NRSTS	6	3	5	2
Total	46	23	35	39

QARC – Current Status

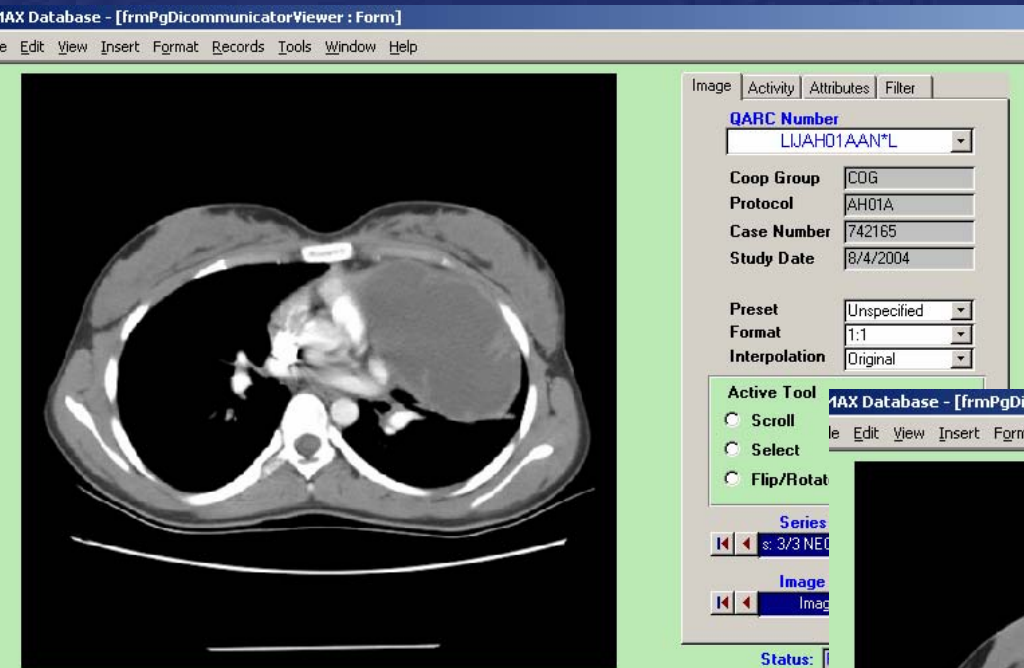
COG - AHOD0031



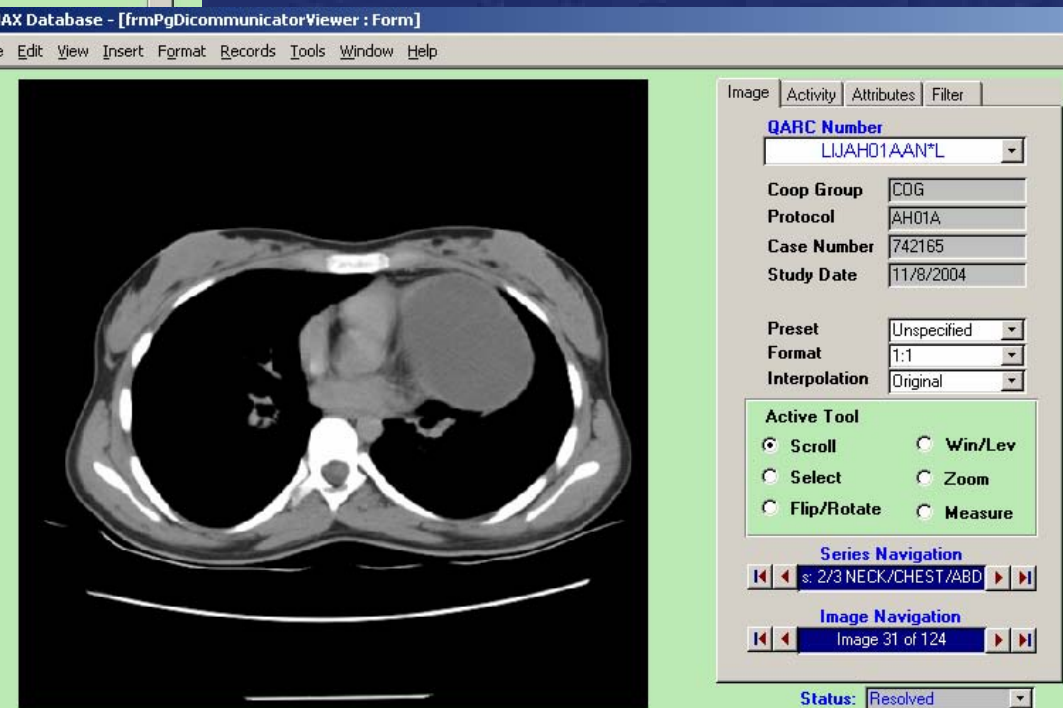
QARC must confirm in real time that patient is in CR for randomization to occur

QARC – Current Status

Web-Ex Conferences

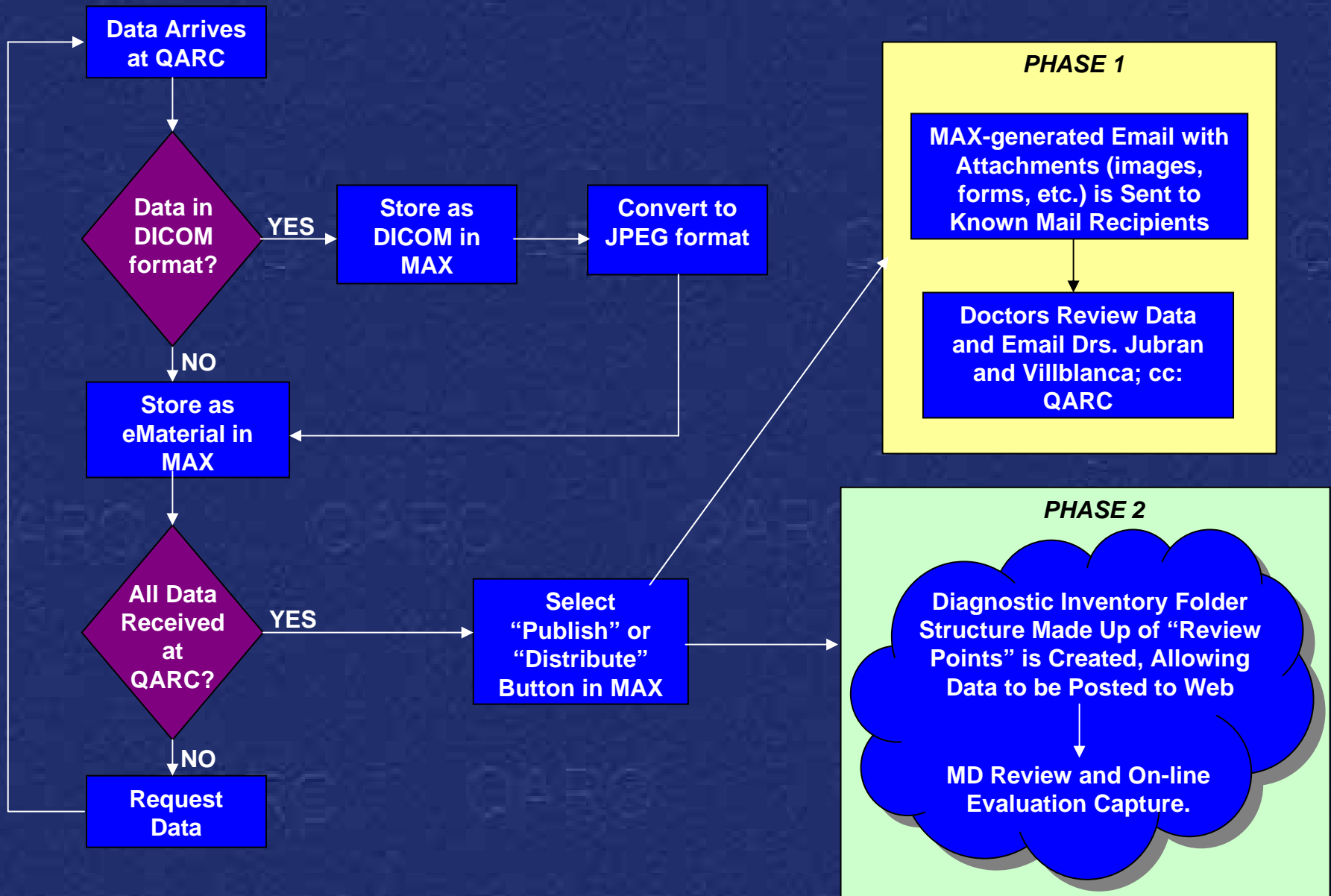


Pre-study



Post 4 cycles

ARET0231: QARC Data Processing Workflow



Expanding ARET0231 Data Processing Workflow to all Studies

PHASE 1

Secure MAX clone with custom portal to study patients to be reviewed.



Doctors using Dicomcommunicator in MAX Review the Dicom studies and complete Data on paper or directly into RDE

PHASE 2

Diagnostic Inventory Folder Structure Made Up of "Review Points" is Created, Allowing Data to be Posted to Web

MD Review and On-line Evaluation Capture.

QARC Imaging Interactions

- CALGB CoreLab – Ohio State
- COG Grid Technologies

QARC Imaging

- Imaging Core for Cooperative Groups